


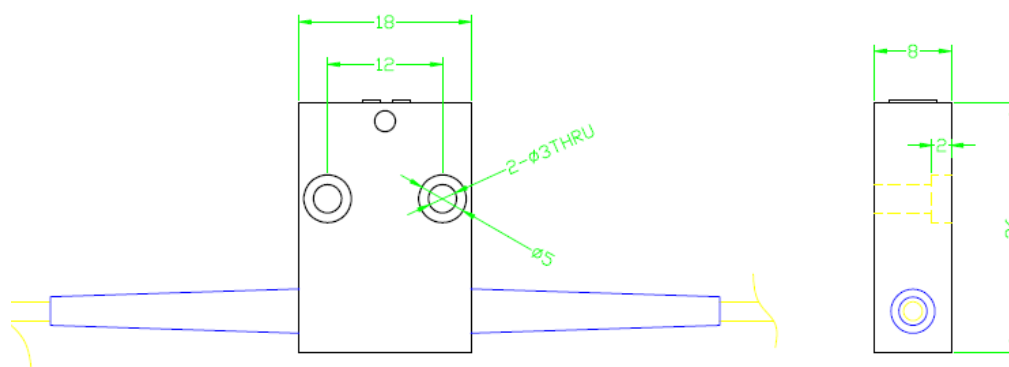
## Single Mode Manual Variable Optical Attenuator (MVOA)

<b>Features</b>	
High precision Wide attenuation range Low Insertion Loss Compact size	
<b>Application</b>	
Optical communication systems test Optics lab use	

### Specifications:

Items	1310nm	1550nm	1310/1550nm	780/850nm	1064nm
Wavelength (nm)	1310 ± 40	1550 ± 40	1310 ± 40 & 1550 ± 40	780 ± 20 850 ± 20	1064 ± 20
Attenuation Range (dB)	0.6 ~ 40	0.6 ~ 40	0.8 ~ 40	0.9 ~ 40	0.6 ~ 40
Insertion Loss (dB)	≤0.6	≤0.6	≤0.8	≤0.9	≤0.6
Fiber Type	SMF-28e			HI780	HI1060
Adjustment Precision (dB)	0.02				
Return Loss (dB)	≥50				
Max Power Handling (W) (CW)	1.0				
PDL (dB)	≤0.15				
Operating Temperature (°C)	0 ~ +70				
Storage Temperature (°C)	-40 ~ +85				
Dimension (mm)	26 x 16 x 8				

### Package Dimensions



### Ordering Information

MVOA	Wavelength	Adjustment Type	Pigtail Type	Fiber Type	Length	Connector
	780 850 1064 1310 1550 1310/1550	1= Hand adjustment 2= Screw adjustment	900=900µm 2000=2mm 3000=3mm	1=SMF-28e 4=HI1060 HI780=HI780	1= 1m	NE=None FA=FC/APC FC=FC/UPC SA=SC/APC SC=SC/UPC LC=LC/UPC LA=LC/APC XX=Other