

High Power SM / PM Isolator 1150nm

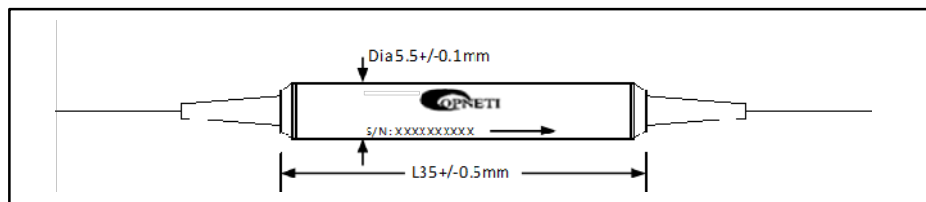
Specifications

Parameters	Unit	Non-PM Fiber Isolator (HPIS)		PM Fiber Isolator (HPMIS)	
		Single Stage	Dual Stage	Single Stage	Dual Stage
Stage	--	Single Stage	Dual Stage	Single Stage	Dual Stage
Center Wavelength	nm	1150			
Bandwidth	nm	±5			
Insertion Loss at 23°C and Input Power 500mW	dB	≤1.8	≤3.2	≤1.8	≤3.2
Isolation at 23°C	dB	≥18	≥28	≥18	≥28
PDL	dB	≤0.2		---	
Extinction Ratio	dB	---		≥20	
Return Loss	dB	≥50			
Fiber Type	--	HI1060 or Specify		PM 980 or Specify	
Max Optical Power (CW)	W	1,3,5,10			
Operating Temperature	°C	0~65			
Storage Temperature	°C	-40~80			

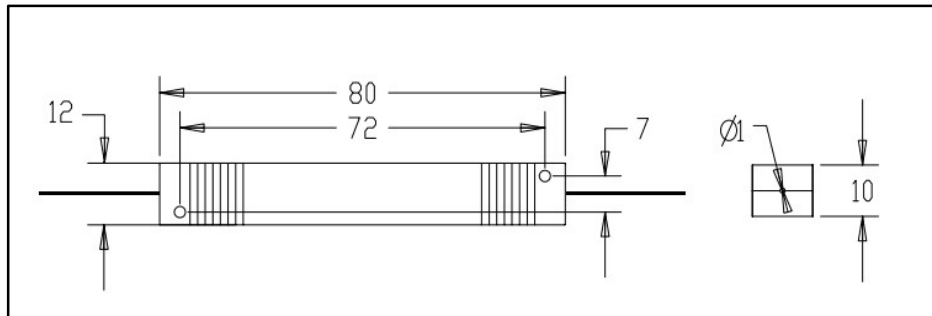
*For devices with connectors, IL+0.3dB, RL-5dB, ER-2dB and optical power will be only 1W CW.

*The PM fiber and the connector key are aligned to the slow axis.

Package Dimensions



for 1~5 W



for 5~10W

Ordering Information

HPIS- ①①①①-②-③-④④④-⑤-⑥-⑦⑦-⑧⑧
 HPMIS- ①①①①-②-③-④④④-⑤-⑥-⑦⑦-⑧⑧

①	Wavelength	1150;
②	Stage	S=Single Stage; D=Dual Stage;
③	Axis Alignment	F=Fast Axis Blocked; B=Both Axis Working;
④	Pigtail Type	250=250µm Fiber; 900=900µm Loose Tube;
⑤	Fiber Type	4=HI 1060; 5=PM 980; XX=Others;
⑥	Length	1=1m;
⑦	Connector	NE=None; FA=FC/APC; FC=FC/UPC; SA=SC/APC; SC=SC/UPC; XX=Other;
⑧	Package Size	5.5x35; 80x12x10;
⑨	Power Handling	1W; 3W; 5W; 10W;