

## 2x2 Optical Switch

### Features

- Compact Size
- High crosstalk
- Low Insertion Loss

### Applications

- Optical Cross and Connection System
- Network Monitor
- Optical Fiber Ring Protection

### Specifications

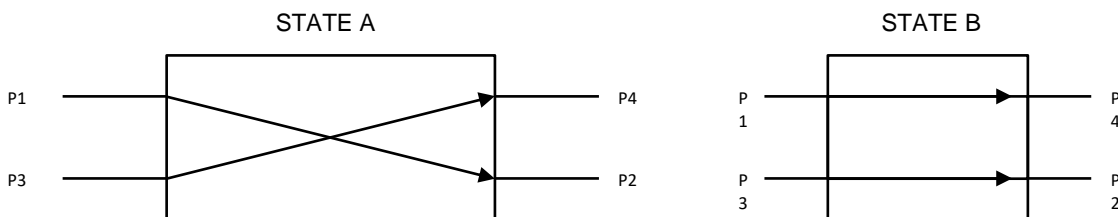
Parameters	Unit	2X2	
Operation Wavelength	nm	850±40/1300±40	1260~1650
Test Wavelength	nm	850/1300	1310/1550
Insertion Loss*	dB	≤1.2 (Typ 1.0)	≤1.0 (Typ 0.8)
Return Loss*	dB	≥30	≥50
Cross Talk*	dB	≥35	≥55
Polarization Dependent Loss	dB	≤0.15	
Switch Time	ms	≤8	
Repeatability	dB	≤0.05	
Lifetime	cycles	10 Million	
Fiber Type		MMF50/125, MMF62.5/125	SMF-28e
Relative Humidity	%	5~95	
Operating Temperature	°C	-20 ~ +85	
Storage Temperature	°C	-40 ~ +85	

\* Within operating temperature and SOP, and excluding connectors.

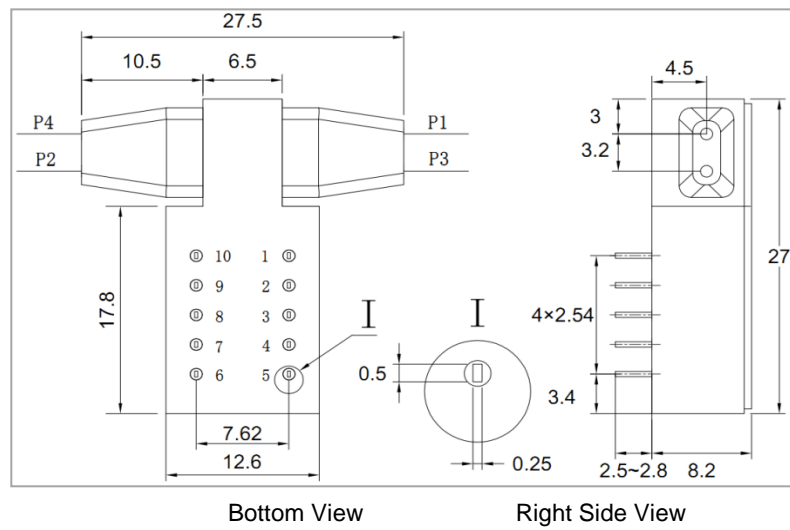
### Pin Configurations

Type	State	Optical Route	Electric Drive				Status Sensor			
			Pin 1	Pin 5	Pin 6	Pin 10	Pin 2-3	Pin 3-4	Pin 7-8	Pin 8-9
Latching	A	P1-P2 P3-P4	--	--	GND	V+	Close	Open	Open	Close
	B	P1-P4 P3-P2	V+	GND	--	--	Open	Close	Close	Open
Non-latching	A	P1-P2 P3-P4	--	--	--	--	Close	Open	Open	Close
	B	P1-P4 P3-P2	V+	--	--	GND	Open	Close	Close	Open

### Optical Route



**Package Dimension**



**Electrical Specifications**

Volt Type	Mode	Current	Voltage	Reset Volt	Resistance	Pulse Width	Raise Time	Typ Power
3V	Latching	60~73 mA	2.25~4.5 V	≤2.25	45 Ω	≥2ms	1~3ms	200mW
3V	Non-latching	42~51 mA	2.25~4.5 V	≤0.3	64 Ω	-	1~3ms	140mW
5V	Latching	36~44 mA	3.75~7.5 V	≤3.75	125 Ω	≥2ms	1~3ms	200mW
5V	Non-latching	25~31 mA	3.75~7.5 V	≤0.5	178 Ω	-	1~3ms	140mW

**Ordering Information**

OSW- ①①①-②②②-③③③-④④④-⑤⑤⑤-⑥⑥⑥-⑦⑦⑦-⑧⑧⑧

①	Port Type	2x2;
②	Wavelength	850; 1310; 1550; 1310/1550;
③	Voltage Type	3V; 5V;
④	Mode	L=Latching; N=Non-Latching;
⑤	Pigtail Type	250=250μm Fiber; 900=900μm Loose Tube;
⑥	Fiber Type	1=SMF-28; 2=MMF 50/125; 3=MMF 62.5/125;
⑦	Fiber Length	1=1m;
⑧	Connector	NE=None; FA=FC/APC; FC=FC/UPC; SA=SC/APC; SC=SC/UPC; LC=LC/UPC; XX=Others;