

1x2(2x2) PM Filter Coupler-2000nm

Features

- Low Excess Loss
- High Extinction Ratio
- High Stability and Reliability

Applications

- Fiber Laser
- Fiber Amplifier
- Testing Equipment

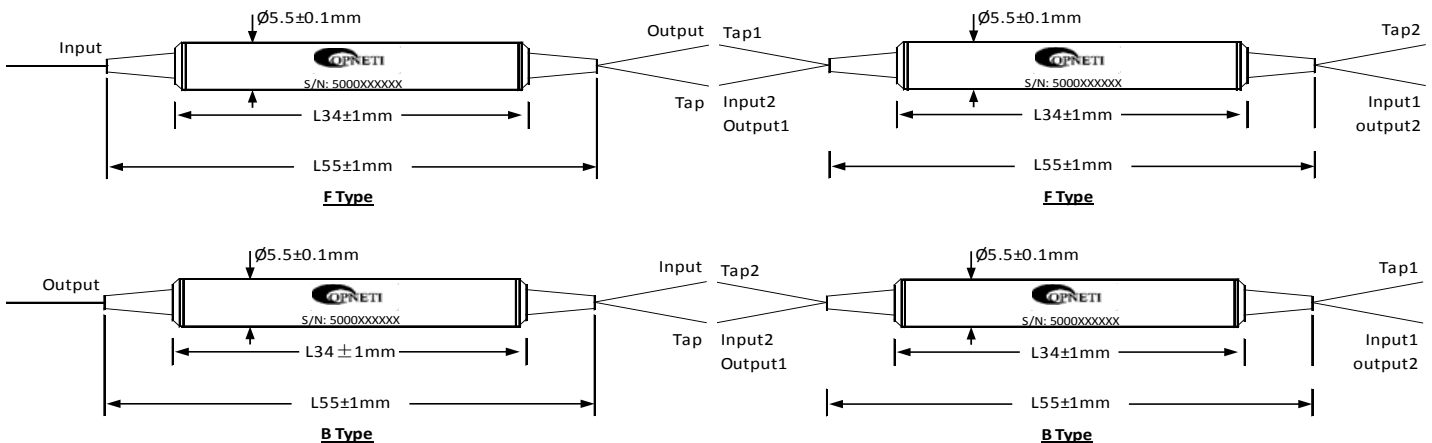
Specifications

Parameters		Unit	1X2	2X2
Center Wavelength		nm	2000	
Operating Wavelength Range		nm	±40	
Excess Loss		dB	≤1.2	≤1.5
Uniformity (only for 50/50)		dB	≤0.6	≤0.8
Tap Ratio (Port 2/4)		%	1±0.2%, 2±0.4%, 5±1.0%, 10%, and 50%	
Extinction Ratio		dB	≥18	
Return Loss		dB	≥50	
Power Handling		mW	≤500	
Fiber Type	Tap Port 2/4		SMF-28e or PM1550	
	Port 1/3		PM1550	
Operating Temperature		°C	0 ~ +65	
Storage Temperature		°C	-40 ~ +85	
Dimensions		mm	φ5.5×L34	

*For devices with connectors, IL+0.3dB, RL-5dB, ER-2dB.

*The default connector key is aligned to slow axis.

Package Dimensions



Ordering Information

PMFC- (1)(1)(1)-(2)(2)(2)(2)-(3)(3)(3)(3)-(4)-(5)(5)(5)-(6)(6)(6)(6)(6)(6)-(7)(7)(7)-(8)(8)

①	Type	1x2; 2x2;
②	Wavelength	2000;
③	Coupling Ratio	1/99; 2/98; 3/97;; 50/50;
④	Axis Alignment	F=Fast Axis Blocked;
⑤	Pigtail Type	250=250um Fiber; 900=900um Loose Tube;
⑥	Fiber at Tap Port	SMF-28e; PM1550;
⑦	Length	0.8=0.8m;
⑧	Connector	NE=None; FA=FC/APC; FC=FC/UPC; SA=SC/APC; SC=SC/UPC; XX=Other;