

## 1212nm High Power Isolator (HPIS / HPMIS)

### Features

- Wide Operating Wavelength
- High Isolation & High PER
- Telcordia GR-1221 Compliant
- Available for Both Axes Pass or Fast Axis Block

### Application

- PM Fiber Amplifier
- Transmitters & Fiber Laser
- Testing Equipment
- WDM & DWDM System



### Specifications

Parameters	Unit	Single Stage	Dual Stage
Center Wavelength	nm	1212	
Peak isolation	dB	28	40
Min Isolation ( $\lambda c \pm 5\text{nm}, 23^\circ\text{C}$ )	dB	22	30
Typ. IL ( $\lambda c \pm 5\text{nm}, 23^\circ\text{C}$ )	dB	1.30	2.10
Insertion Loss ( $\lambda c \pm 5\text{nm}, -5 \sim +70^\circ\text{C}$ )	dB	$\leq 1.5$	$\leq 2.3$
Polarization Dependent Loss (PDL) (for SMF)	dB	$\leq 0.2$	$\leq 0.25$
PER (for PMF)	Both Axes Pass	dB $\geq 20$	
	Fast Axis Blocked	dB $\geq 23$	
Return Loss (Input / Output) (RL)	dB	$\geq 60/55$	$\geq 60/55$
Fiber Type		HI1060, HI1060Flex, PM980	
Max Power Handling CW	W	1, 2	
Operating Temperature	$^\circ\text{C}$	$-0 \sim +75$	
Storage Temperature	$^\circ\text{C}$	$-40 \sim +85$	

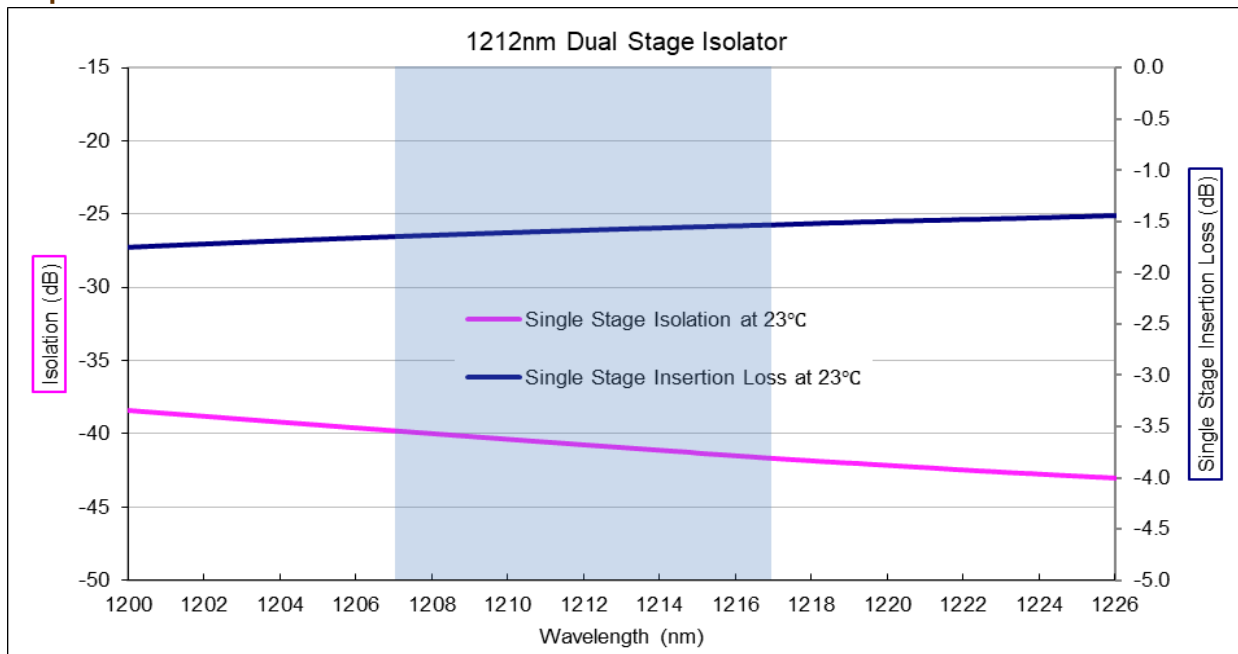
Above data test at room temperature without connectors. With connectors, IL+0.3dB, RL-5dB, PER-2dB.

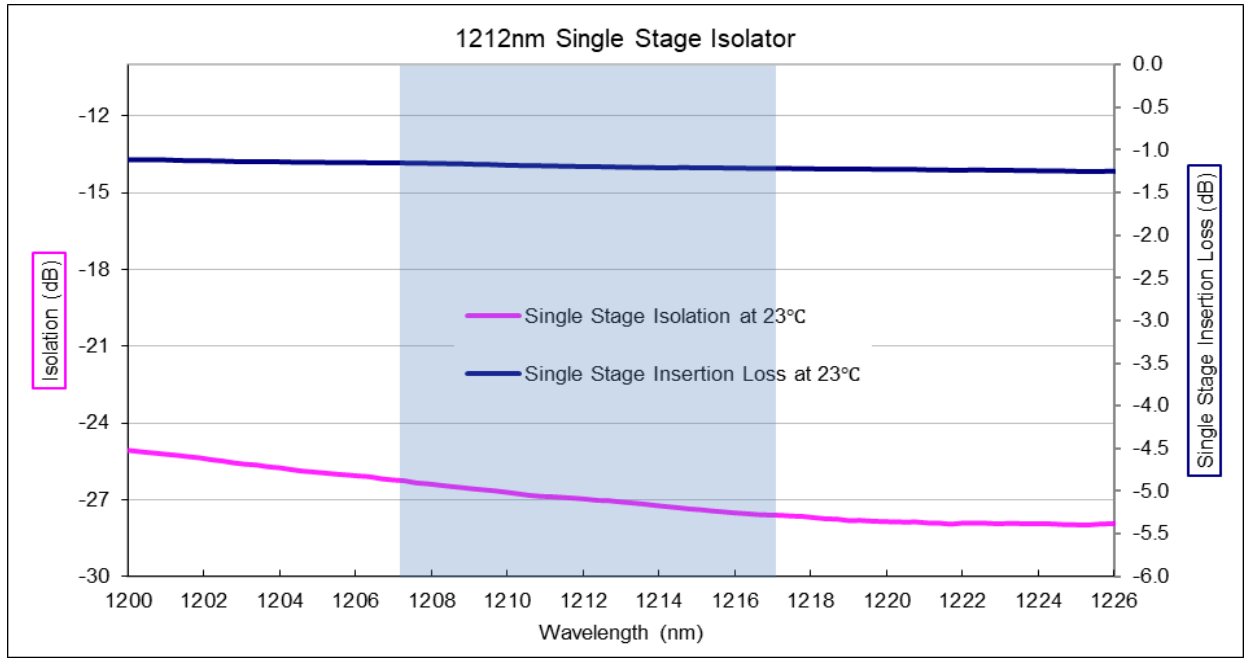
Optical Power 1W only after connector added.

Default connector key is aligned to slow axis.

Default FC connector key width 2.02mm (narrow key), 2.12mm (wide key) available on request.

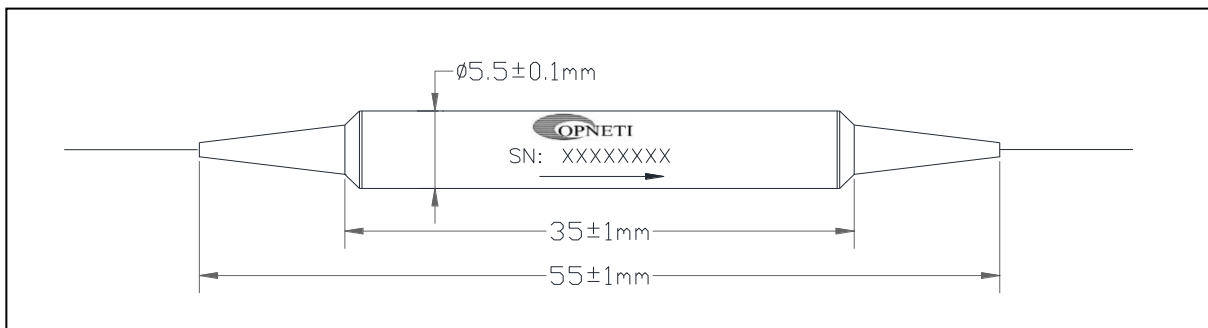
### Typical Spectrum



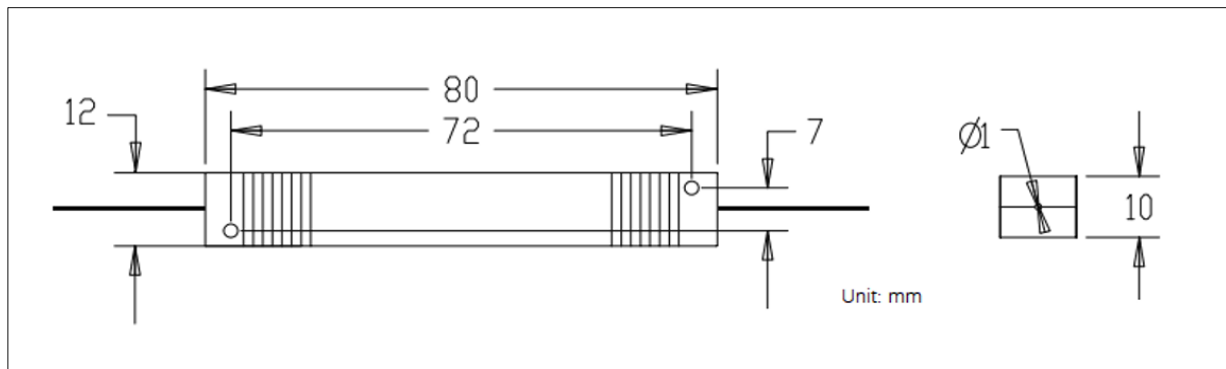


**Package Information**

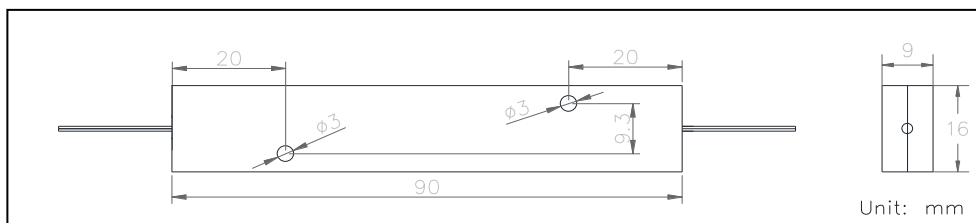
Fiber Length	1m, others on request		
Pigtail Type	250µm Bare Fiber	900µm Loose Tube	2mm/3mm Loose Cable
Dimensions(mm)	φ5.5x35, 80x12x10	φ5.5x35, 90x16x9	φ5.5x35(no boot), 90x16x9
Approx Weight (g)	35	50	65



for 1W



for 2W



for 1~2W, with loose tube

**Ordering Information**

HPIS- ①-②②②②-③-④④④-⑤-⑥-⑦⑦-⑧⑧⑧⑧⑧-⑨⑨  
 HPMIS-

①	Type	S=Single Stage; D=Dual Stage;
②	Wavelength	1212;
③	Axis Alignment	F=Fast Axis Blocked; B=Both Axes Working;
④	Pigtail Type	250=250μm Fiber; 900=900μm Loose Tube; 2000=2mm Loose Cable; 3000=3mm Loose Cable;
⑤	Fiber Type	4=HI1060; 8=HI1060Flex; P98=PM980;
⑥	Fiber Length	1=1m; XX=other;
⑦	Connector	NE=None; FA=FC/APC; FC=FC/UPC; SA=SC/APC; SC=SC/UPC; LC=LC/UPC; XX=Others;
⑧	Package size	5.5x35; 80x12x10;
⑨	Power Handling	1W; 2W;