

2x2, 1x4 MEMS PM Fiber Switch

Features

- Compact Size
- Fast Response Time
- TTL or CMOS Logic

Applications

- Protection Switching
- Reconfiguration
- Optical Subsystems
- Array Integration

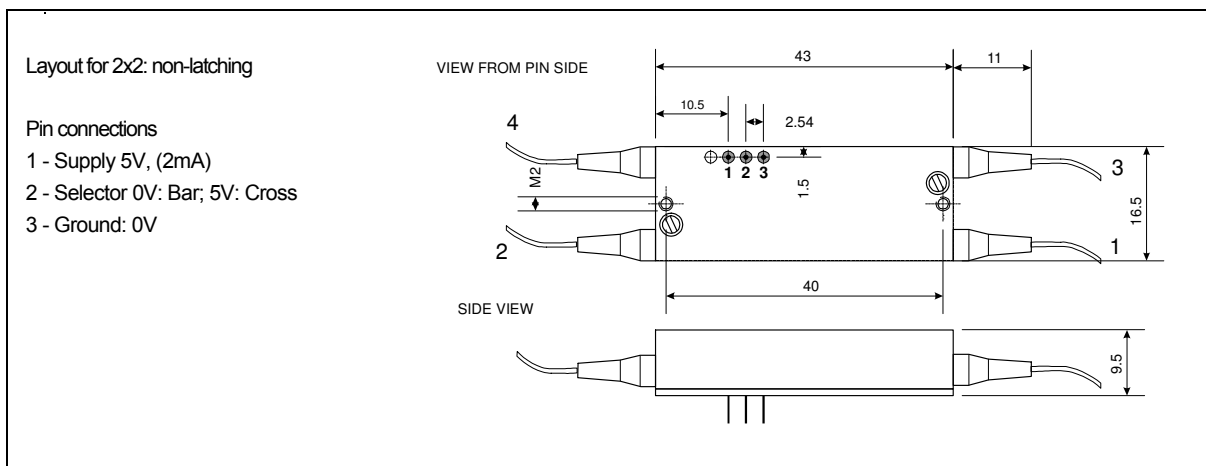
Specifications

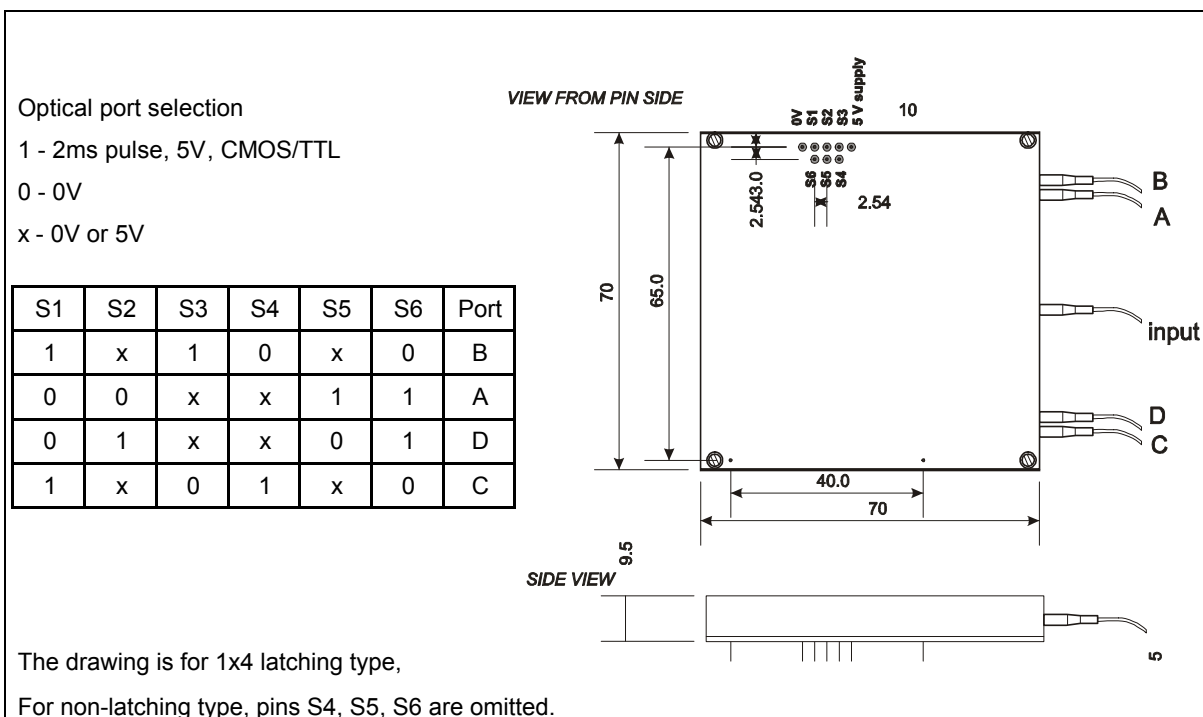
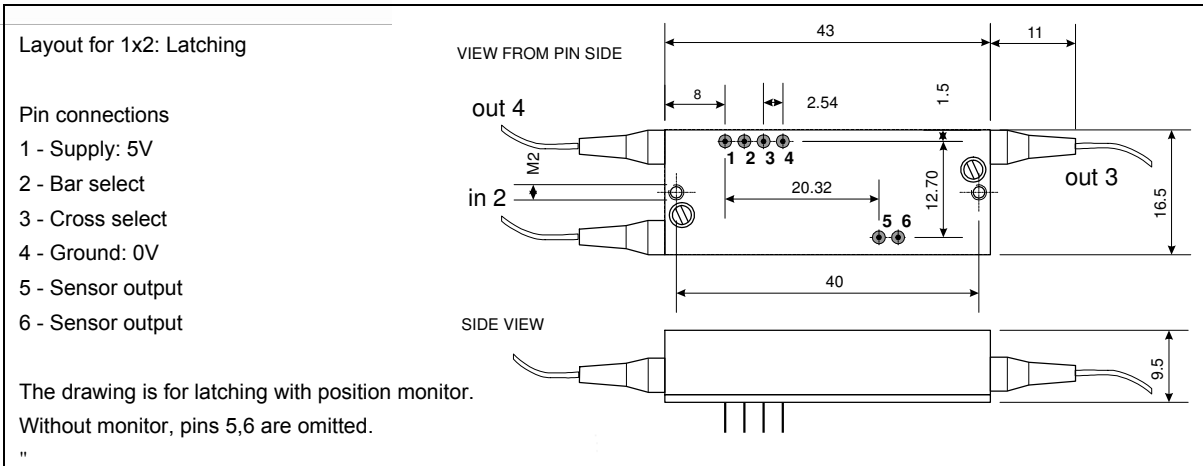
Parameters	Unit	2x2/1x2	1x4
Operation Wavelength	nm	Cut Off +200nm	
Insertion Loss	dB	≤1.5 (Typ. 0.7)	≤3 (Typ. 2)
Polarization Extinction Ratio	dB	≥20 (Typ. 25)	
Backreflection	dB	≥50 (Typ. 55)	
Cross Talk	dB	≥60 (Typ. 75)	
Switching Time	ms	≤1 (Typ. 0.5)	
Repeatability	dB	≤0.001	
Durability	cycles	≥Billion	
Fiber Type		PM1550 or PMF980 Panda Fiber	
Operating Temperature	°C	0 ~ +70	
Storage Temperature	°C	-40 ~ +70	
Dimensions (LxWxH)	mm	40x16.5x9.5	70x70x9.5

Integrated Drive

Voltage	V	4 ~ 5.25 (Typ. 5.)
Power Consumption	mW	10

PIN Connection and Drawing





Ordering Information

MSW- ①①①-②②②-③-④④④-⑤-⑥-⑦⑦

①	Port Type	1x2; 2x2; 1x4;
②	Cut Off Wavelength	970=<970nm for 980nm and 1064nm; 1250=<1250nm for 1310nm and 1550nm;
③	Mode	L=Latching; N=Non-Latching;
④	Pigtail Type	250=250um Fiber; 900=900um Loose Tube;
⑤	Fiber Type	5=PM Fiber;
⑥	Fiber Length	1=1m;
⑦	Connector	NE=None; FA=FC/APC; FC=FC/UPC; SA=SC/APC; SC=SC/UPC; LC=LC/UPC; XX=Others;