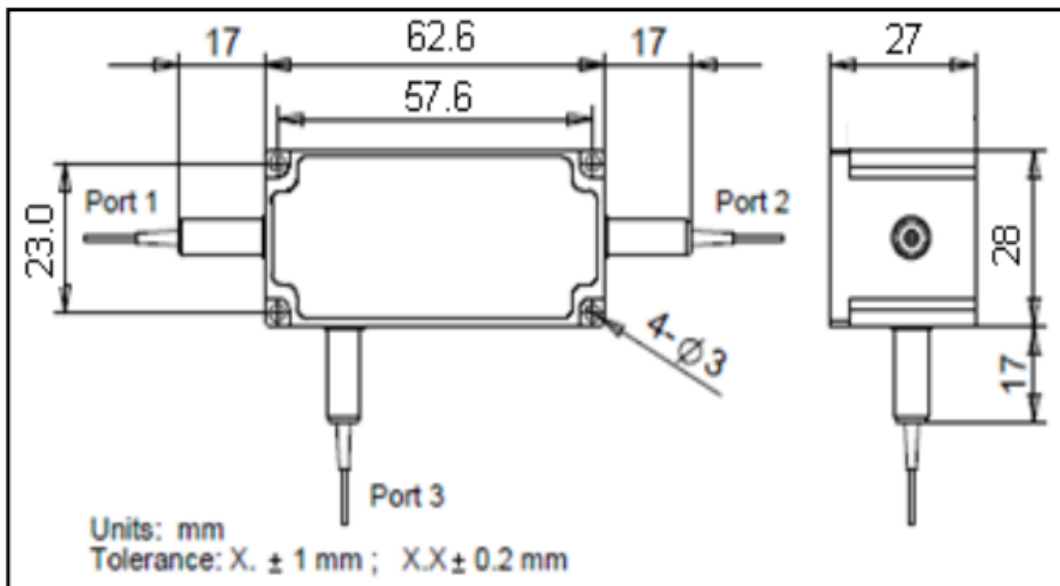


Polarization Insensitive Circulator-780, 830, 850nm

Specifications

Parameters	Unit	3 Port
Operating Wavelength (λ_{op})	nm	780, 830, 850
Operating Wavelength Range	nm	± 10
Typ. Insertion Loss (23°C)	dB	1.3
Insertion Loss (23°C)	dB	≤ 1.8
Isolation (23°C all SOP)	dB	≥ 20
Crosstalk (P1 to P3)	dB	≥ 45
Return Loss	dB	≥ 50
WDL	dB	≤ 0.2
Power Handling	mW	300
Fiber Type		HI 780
Dimension	mm	96.6x28x27
Operating Temperature (T_{op})	°C	10 ~ 50
Storage Temperature	°C	-10 ~ +60

Package Dimensions



Ordering Information

CIR- ①-②-③③③-④④④-⑤-⑥⑥⑥⑥⑥⑥-⑦⑦-⑧⑧⑧⑧⑧⑧⑧⑧⑧⑧

①	Port	3=3 Port;
②	Grade	P=P Grade;
③	Wavelength	780; 830; 850;
④	Pigtail Type	250=250um Fiber; 900=900um Loose Tube; 3mm=3mm Loose Tube;
⑤	Fiber Length	1=1m;
⑥	Fiber Type	HI 780;
⑦	Connector	NE=None; FA=FC/APC; FC=FC/UPC; SA=SC/APC; SC=SC/UPC; XX=Other;
⑧	Package	96.6x28x27;