

Polarization Maintaining Optical Fiber Mirror-2000nm

Features

- Low Insertion Loss
- Compact Size
- Environmental Stability

Applications

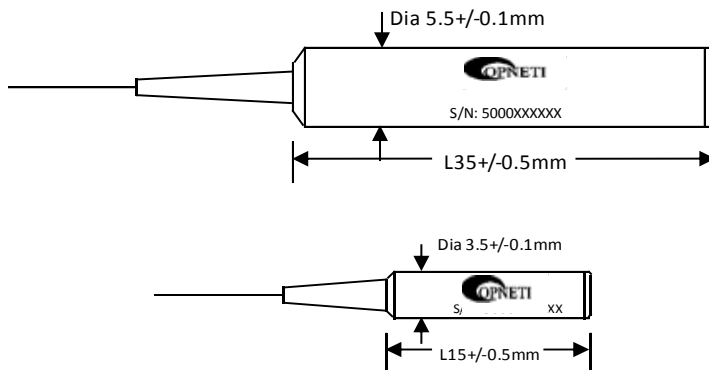
- Fiber Instruments
- Fiber Sensor

Specifications

Parameters	Unit	Values
Operating Wavelength	nm	1950, 2000, 2050
Operating Bandwidth	nm	±20
Insertion Loss	dB	≤0.8 (Typ. 0.5)
ER	dB	≥20
Power Handling	mW	≤300
Fiber Type		PM1550
Operating Temperature	°C	-5 ~ +70
Storage Temperature	°C	-40 ~ +85
Dimensions*	mm	φ5.5×35; φ3.5×15

* Smaller package available upon request.

Package Dimensions



Ordering Information

PMOFM- ①①①①-②②②-③③③③③③-④-⑤⑤-⑥⑥⑥⑥⑥⑥

①	Wavelength	2000;
②	Pigtail Type	250=250um Fiber; 900=900um Loose Tube;
③	Fiber Type	PM1550;
④	Length	1=1m;
⑤	Connector	NE=None; FA=FC/APC; FC=FC/UPC; SA=SC/APC; SC=SC/UPC; XX=Other;
⑥	Package Size	5.5×35; 3.5×15;