

## 2000nm PM Tap Isolator Hybrid

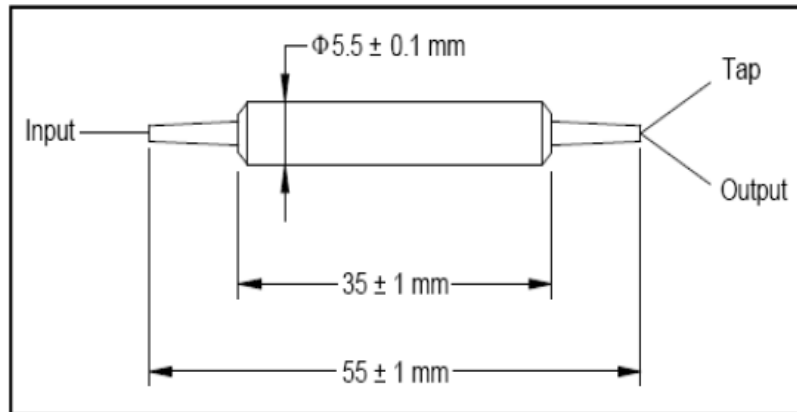
### Specifications

Parameters		Unit	Single Stage	Dual Stage
Center Wavelength		nm	2000	
Operating Wavelength Range		nm	±20	
Excess Loss (EL)		dB	≤1.4	≤1.7
Tap Ratio (Tap IL=-10*log(Tap Ratio + EL), (Input to Tap))		dB	1±0.2, 2±0.4, 5±1.0, 10±2.0, 50±4.0	
Typ. Peak Isolation		dB	32	52
Isolation, λ <sub>op</sub> , 23°C, all polarization states		dB	≥20	≥40
Extinction Ratio		dB	≥18	
Return Loss		dB	≥50	
Directivity		dB	≥50	
Power Handling		mW	300	
Fiber Type	Tap Port		SMF-28e or PM 1550 Panda Fiber	
	Input & Output		PM 1550 Panda Fiber	
Operating Temperature		°C	-5 ~ +70	
Storage Temperature		°C	-40 ~ +85	
Dimensions		mm	φ5.5×35	

\*For devices with connectors, IL+0.3dB, RL-5dB, ER-2dB.

\*The default connector key is aligned to slow axis.

### Package Dimensions



### Ordering Information

PMTISO- ①①①①-②-③③③③-④-⑤⑤⑤⑤-⑥-⑦⑦⑦⑦-⑧⑧

①	Wavelength	2000;
②	Type	S=Single Stage; D=Dual Stage;
③	Coupling Ratio	1/99; 2/98; 5/95; 10/90; 50/50;
④	Axis Alignment	F=Fast Axis Blocked; B=Both Axis Working;
⑤	Pigtail Type	250=250um Fiber; 900=900um Loose Tube;
⑥	Fiber Type@ Tap	1=SMF-28e; 5=PM 1550 Fiber;
⑦	Length	0.8=0.8m;
⑧	Connector	NE=None; FA=FC/APC; FC=FC/UPC; SA=SC/APC; SC=SC/UPC; XX=Other;