

Tap-PD Monitor

Features

- Low Insertion Loss
- Compact Size, Integrated Device
- Customized Tap Ratio Available
- RoHS Compliant

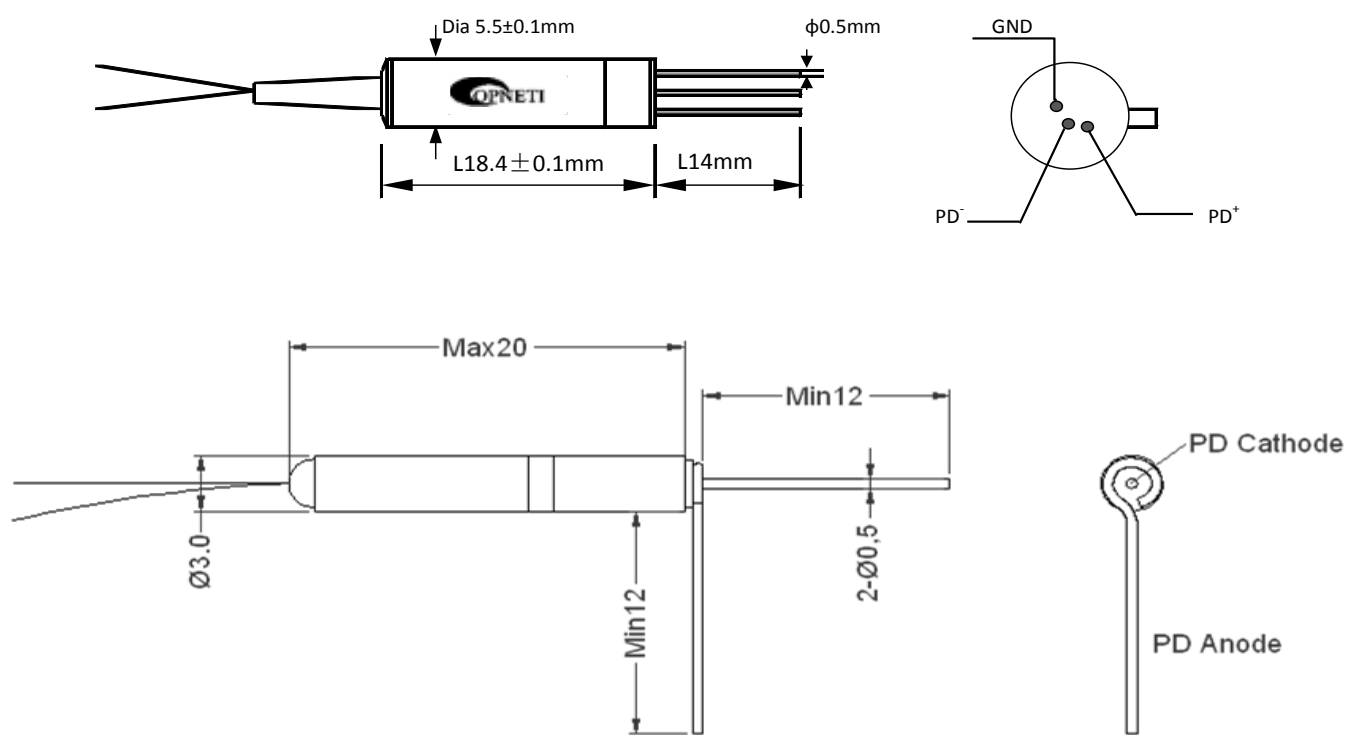
Applications

- WDM Channel Monitoring
- Gain Monitoring for Amplifier
- Optical Network Switch
- Protection Monitoring

Specifications

Parameters	Unit	Values		
Operating wavelength	nm	1260~1620		
Tap ratio		1%	3%	5%
Responsibility	mA/W	8	25	40
Insertion Loss	dB	0.35		
WDL	dB	≤0.3		
Dark Current	nA	≤5.0 (1.0 Typical)		
Reverse Voltage	V	≤20		
Forward Current	mA	≤10		
PDL	dB	≤0.1		
TDL	dB	≤0.3		
PMD	ps	≤0.2		
Return Loss	dB	≥45		
Fiber Type		SMF-28e		
Operating Temperature	°C	-10 ~ +70		
Storage Temperature	°C	-40 ~ +85		
Input Power	mW	≤500		
Dimensions	mm	Φ5.5XL18.4; Φ3.0XL20		

Package Dimensions



Ordering Information

TPM- ①①①①-②-③③③-④-⑤-⑥⑥-⑦⑦⑦⑦⑦⑦⑦⑦⑦⑦

①	Wavelength	1310; 1550; 1310/1550;
②	Tap Ratio	1=1%; 3=3%; 5=5%;
③	Pigtail Type	250=250um Fiber; 900=900um Loose Tube;
④	Fiber Type	1=SMF-28e;
⑤	Fiber Length	1=1m;
⑥	Connector	NE=None; FA=FC/APC; FC=FC/UPC; SA=SC/APC; SC=SC/UPC; LC=LC/UPC; XX=Others;
⑦	Package Size	5.5X18.4; 3.0X20